

QuietAir QT120

Toilet, bathroom, utility room and kitchen (adjacent to hob)



KEY FEATURES

- Two speed ventilation up to 47 l/s (170 m³/h)
- Awarded Quiet Mark by Noise Abatement Society
- Power consumption from only 10 W
- Interval timer for routine auto extraction
- Long-life ball bearings with approx. 40,000 hr life
- Suitable for installation anywhere in Zone 1 of bathrooms when installed with an RCD
- Install in a kitchen adjacent to the hob

The powerful performance QuietAir 120 is designed to provide extraction levels that exceed the requirements of the latest Building Regulations.

QuietAir, is a range of elegant, discreet axial fans that are supremely quiet. By using exceptionally low energy they help to reduce carbon emissions but also save on your electricity bill.

Operated by a range of control options including basic switching, timer, humidity and motion sensor control.

Room refresh (interval timer) enables automatic extraction at pre-set times if required.

MODELS

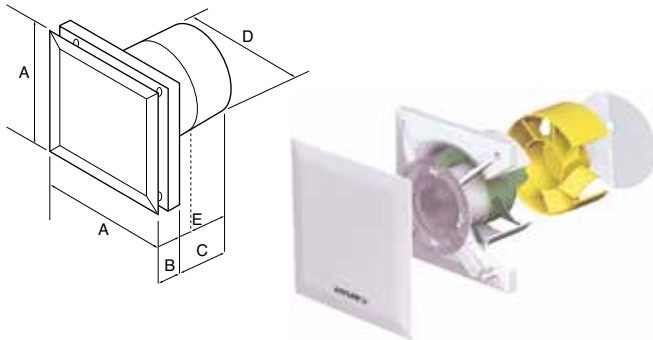
Basic	Control by remote switch
Timer	Adjustable timer overrun of 6, 10, 15 or 21 minutes
Humidity Timer	Adjustable Humidity 60 to 90% RH with adjustable timer
Motion Sensor Timer	Motion sensor activation



TECHNICAL DATA

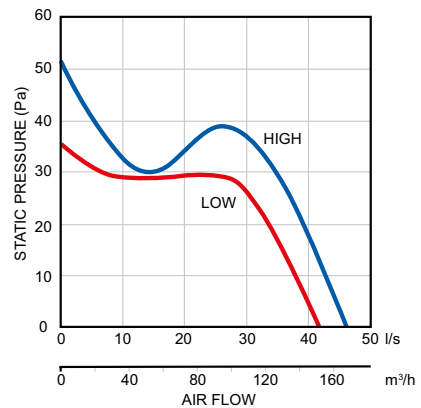
Specification	QuietAir QT120B	QuietAir QT120T	QuietAir QT120HT	QuietAir QT120MST
Air flow m ³ /h	150 / 170			
Air flow l/s	42 / 47			
Fan type	Axial			
Controls	Basic	Timer	Humidity Timer	Motion Sensor Timer
Mounting	Wall / Ceiling			
Sound pressure dB(A)@3 m	32 / 36			
Delay start (min)	No	2	2	No
Adjustable timer (min)	No	6,10,15,21	6,10,15,21	15
Adjustable humidity (%RH)	-	-	60 - 90	-
Interval timer, auto start (hrs)	-	0,8,12,24	-	-
Power watts	10 / 13			
Amps	0.08 / 0.09			
Specific Fan Power (SFP)	0.24			
Building Regulations ADF	Yes			
Duct Diameter (mm)	125			
Voltage	230 V / 1 ph / 50 Hz			
Rating	IP45			
Max ambient temperature	40°C			
Weight (kg)	1.05			
Dimensions (H x W x D) mm	176 x 176 x 155			
Part No.	9041497	9041498	9041499	9041500
EAN Barcode	5019009307589	5019009307596	5019009307602	5019009307619

DIMENSIONS



Model	A	B	C	D	E
QuietAir QT120	176	39	116	118	70

PERFORMANCE



CONTROLS & ACCESSORIES



Others products available from airflow.com

Call: 01494 525252

Visit: airflow.com



Airflow Developments Limited
Aidelle House, Lancaster Road,
Cressex Business Park,
High Wycombe, Buckinghamshire,
United Kingdom, HP12 3QP

E-mail: info@airflow.com
Telephone: +44 (0) 1494 525252

airflow.com

© Airflow Developments Limited. Airflow Developments Limited reserve the right, in the interests of continuous development, to alter specifications without prior notice. All orders are accepted subject to our conditions of sale which are available on request



80001415 - Issue 4 08/24